



**RICAMBI  
PER ESTINTORI**

# VALVOLE ESTINTORI

## Valvola a pulsante per estintore a polvere Kg1-2

Squeeze-grip valve for powder fire extinguisher Kg 1-2



Art. 2001 Cod. VPE1

Entrata - Inlet	M30x1,5
Uscita - Outlet	G1/8"x28
Attacco manometro - Gauge	M10x1x12,5
Attacco pescante - Deep tube	M16x1,5

## Valvola a pulsante per estintore a polvere Kg1-2 con maniglia

Squeeze-grip valve for powder fire extinguisher Kg 1-2 with handle



Art. 2002 Cod. VPE2

Entrata - Inlet	M30x1,5
Uscita - Outlet	G1/8"x28
Attacco manometro - Gauge	M10x1x12,5
Attacco pescante - Deep tube	M16x1,5

## Valvola a pulsante per estintore a polvere Kg6-12 rossa

Red squeeze-grip valve for powder fire extinguisher Kg 6-12



Art. 2003 Cod. VPEPI

Entrata - Inlet	M30x1,5
Uscita - Outlet	G1/4"x19
Attacco manometro - Gauge	M10x1x12,5
Attacco pescante - Deep tube	M16x1,5

## Valvola a pulsante per estintore a polvere Kg6-12 gialla

Yellow squeeze-grip valve for powder fire extinguisher Kg 6-12



Art. 2004 Cod. VPEPG

Entrata - Inlet	M30x1,5
Uscita - Outlet	G1/4"x19
Attacco manometro - Gauge	M10x1x12,5
Attacco pescante - Deep tube	M16x1,5

## Valvola a pulsante per estintore a polvere Kg6-12 verde

Green squeeze-grip valve for powder fire extinguisher Kg 6-12



Art. 2005 Cod. VPEPA

Entrata - Inlet	M30x1,5
Uscita - Outlet	G1/4"x19
Attacco manometro - Gauge	M10x1x12,5
Attacco pescante - Deep tube	M16x1,5

## Valvola a pulsante per estintore a polvere Kg6-12 CPF

Squeeze-grip valve for powder fire extinguisher Kg 6-12 CPF



In versione INOX  
per estintore a polvere  
PM61C

Art. 2006 Cod. VPEPC

Entrata - Inlet	M30x1,5
Uscita - Outlet	G1/4"x19
Attacco manometro - Gauge	M10x1x12,5
Attacco pescante - Deep tube	M16x1,5

## Valvola per estintore a polvere Kg6-12 Sparklet

Sparklet valve for powder fire extinguisher Kg 6-12



Art. 2007 Cod. VPEBI

Entrata - Inlet	M74x2
Uscita - Outlet	M14x1,5
Attacco pescante - Deep tube	Ø18

## Valvola a pulsante per estintore a CO2 CPF

Squeeze-grip valve for carbon dioxide fire extinguisher



Art. 2008 Cod. VCO2W

Entrata - Inlet	W28,8
Uscita - Outlet	W21,7
Attacco pescante - Deep tube	G1/4"

## Valvola a pulsante per estintore a CO2 cilindrica CPF



Art. 2009 Cod. VCO2C

Entrata - Inlet	W28,8
Uscita - Outlet	W21,7
Attacco pescante - Deep tube	G1/4"

## Valvola a pulsante per estintore a CO2 amagnetica CPF

Amagnetic squeeze-grip valve for carbon dioxide fire extinguisher



Art. 2010 Cod. VCO2A

Entrata - Inlet	W28,8
Uscita - Outlet	W21,7
Attacco pescante - Deep tube	G1/4"

## Valvola a volantino per estintore carrellato CO2

Hand wheel valve wheeled carbon dioxide fire extinguisher



Art. 2011 Cod. VBKC

Entrata - Inlet	W28,8
Uscita - Outlet	W21,7
Attacco pescante - Deep tube	G3/8"

## Valvola a volantino mignon CO2

Hand wheel valve mignon carbon dioxide



Art. 2012 Cod. VBKM

Entrata - Inlet	W19,8
Uscita - Outlet	W21,7
Attacco pescante - Deep tube	M10x1

# VALVOLE ESTINTORI

## Valvola ad apertura rapida a leva per estintore carrellato

Squeeze-grip valve for wheeled fire extinguisher



Art. 2013 Cod. VSC

Entrata - Inlet	G2"
Uscita - Outlet	G3/4"
Attacco manometro - Gauge	M10x1x12,5
Attacco pescante - Deep tube	G3/4"

## Valvola a sfera per estintore carrellato

Lever valve for wheeled fire extinguisher



Art. 2014 Cod. VC

Entrata - Inlet	G3/4"M
Uscita - Outlet	G3/4"F

## Valvola a volantino per azoto

Hand wheel valve for nitrogen



Art. 2015 Cod. VBKA

Entrata - Inlet	W28,8
Uscita - Outlet	W21,7

## Valvola sprinkler per estintore automatico

Sprinkler valve for automatic fire extinguisher



Art. 2016 Cod. VSA

Entrata - Inlet	M30x1,5
Attacco manometro - Gauge	M10x1x12,5

## Valvola a volantino con dispositivo residuale per bombola CO2

Residual squeeze-grip for CO2 cylinder



Art. 2017 Cod. VPS

Entrata - Inlet	W28,8
Uscita - Outlet	W21,7

## Valvola a pulsante per estintore Kg6-12 in alluminio

Aluminium squeeze-grip for powder fire extinguisher Kg 6-12



Art. 2018 Cod. VPEPA

Entrata - Inlet	M30x1,5
Uscita - Outlet	G1/4"x19
Attacco manometro - Gauge	M10x1x12,5
Attacco pescante - Deep tube	M16x1

## Valvola a pulsante con uscita frontale e dispositivo di sicurezza

Squeeze-grip valve in front-outlet version, with bursting-disc type safety device

Vanne à pousoir type à sortie frontale, avec dispositif de sécurité

Identification code	Standard	Inlet	Outlet	Dip Tube connection	Disc calibration
60.2.090.0030 nichelata	UNI	25E	W.21.7	G.1/4"	185 bar
60.2.090.0036	UNI	25E	W.21.7	G.1/4"	250 bar
60.2.090.0044	NF	25,8 SI	W.21.7 SI	G.1/4"	200 bar
60.2.090.0133	NF	25E	W.21.7 SI	G.1/4"	215 bar
60.2.090.0185	DIN	25E	W.21.8	M.10X0.75	210 bar
60.2.090.0188	DIN	25E	W.21.8	M.10X0.75	250 bar
60.2.090.0201	DIN	25E	W.21.8	M.10X1	250 bar
60.2.090.0234	UNI	25E	W.21.7	M.10x1	250 bar
60.2.090.0087	NF	28,8 SI	W.21.7 SI	G.1/4"	200 bar
60.2.090.0195 teflonata	NF	25E	W.21.7 SI	G.1/4"	200 bar



## Valvola a pulsante con uscita frontale e dispositivo di sicurezza attacco cilindrico

Squeeze-grip valve in front-outlet version, with bursting-disc type safety device, cylindric connection

Vanne à pousoir type à sortie frontale, avec dispositif de sécurité à connection cylindrique

Identification code	Standard	Inlet	Outlet	Dip Tube connection	Disc calibration
60.2.090.0016	UNI	25P	W.21.7	M.10X1	185 bar
60.2.090.0068 nichelata	UNI	25P	W.21.7	G.1/4"	185 bar
60.2.090.0171	UNI	25P	W.21.7	G.1/4"	210 bar
60.2.090.0186	DIN	25P	W.21.8	M.10X0.75	210 bar
60.2.090.0254	UNI	25P	W.21.7	G.1/4"	195 bar



# VALVOLE ESTINTORI

## Valvola a pulsante AMAGNETICA con uscita frontale e dispositivo di sicurezza

Squeeze-grip NON-MAGNETIC valve in front-outlet version, with bursting-disc type safety device

Vanne à poussoir type AMAGNETIQUE à sortie frontale, avec dispositif de sécurité

Identification code	Standard	Inlet	Outlet	Dip Tube connection	Disc calibration
60.2.090.0149	NF	25E	W.21.7SI	G.1/4"	215 bar
60.2.090.0174	UNI	25E	W.21.7	M.10x1	185 bar
60.2.090.0208	UNI	25E	W.21.7	G.1/4"	200 bar
60.2.090.0235	UNI	25E	W.21.7	G.1/4"	215 bar



## Valvola a pulsante AMAGNETICA con uscita frontale e dispositivo di sicurezza attacco cilindrico

Squeeze-grip NON-MAGNETIC valve in front-outlet version, with bursting-disc type safety device, cylindric connection

Vanne à poussoir type AMAGNETIQUE à sortie frontale, avec dispositif de sécurité, à connection cylindrique

Identification code	Standard	Inlet	Outlet	Dip Tube connection	Disc calibration
60.2.090.0062	UNI	25P	W.21.7	G.1/4"	185 bar
60.2.090.0213	UNI	25P	W.21.8	M.10X0.75	210 bar
60.2.090.0217	UNI	25P	W.21.8	M.10X0.75	245 bar



## Valvola a pulsante con uscita laterale e dispositivo di sicurezza

Squeeze-grip valve side-outlet version, with bursting-disc type safety device Vanne à poussoir type à sortie latérale, avec dispositif de sécurité

Identification code	Standard	Inlet	Outlet	Dip Tube connection	Disc calibration
60.2.190.0056	UNI	25E	W.21.7	G.1/4"	200 bar
60.2.190.0120	DIN	25E	W.21.8	M.10x1	225 bar
60.2.190.0124	UNI	25E	W.21.8	G.1/4"	215 bar
60.2.190.0125	DIN	25E	W.21.8	G.1/4"	250 bar
60.2.190.0126	DIN	25E	W.21.8	G.1/4"	210 bar
60.2.190.0132	DIN	25E	W.21.8	G.1/4"	185 bar
60.2.190.0134	DIN	25E	W.21.8	M.14x0.75	250 bar
60.2.190.0135	UNI	25E	W.21.7	G.1/4"	215 bar



## Valvola a pulsante con uscita laterale e dispositivo di sicurezza attacco cilindrico



Squeeze-grip valve side-outlet version, with bursting-disc type safety device, cylindric connection  
 Vanne à poussoir type à sortie latérale, avec dispositif de sécurité à connection cylindrique

Identification code	Standard	Inlet	Outlet	Dip Tube connection	Disc calibration
60.2.190.0016	DIN	25P	W.21.8	M.10X0.75	210 bar
60.2.190.0023	UNI	25P	W.21.7	G.1/4"	215 bar
60.2.190.0026	DIN	25P	W.21.8	M.10X0.75	225 bar
60.2.190.0031	DIN	25P	W.21.8	M.10x1	200 bar
60.2.190.0133	UNI	25P	W.21.7	G.1/4"	185 bar

## Valvola a pulsante con uscita laterale VDS frontale



Squeeze-grip valve side-outlet version, with safety valve  
 Vanne à poussoir type sortie latéral avec VDS frontal

Identification code	Standard	Inlet	Outlet	Dip Tube connection	Disc calibration
60.2.190.0038	DIN	25P	W.21.8	M.10X0.75	210 bar

## Valvola con comando basculante manuale a distanza per estintori CO<sup>2</sup> e dispositivo di sicurezza a leva corta



Valve with swinging manual remote control for stored pressure fire extinguishers  
 Vanne avec levier basculant de commande manuelle à distance pour extincteurs à pression permanente

Identification code	Standard	Inlet	Outlet	Dip Tube connection	Disc calibration
60.2.090.0093	NF	28.8 SI	W.21.8SI	G.1/4"	200 bar
60.2.090.0095	UNI	25E	W.21.7	G.1/4"	185 bar
60.2.090.0098	DIN	25E	W.21.8	M.10x1	225 bar
60.2.090.0228	NF	25E	W.21.7 SI	G.1/4"	225 bar

# VALVOLE ESTINTORI

Valvola con comando basculante manuale a distanza per estintori CO<sup>2</sup>/N<sup>2</sup> e dispositivo di sicurezza. Leva lunga in acciaio inox

Valve with long stainless steel swinging manual remote controlo for CO<sup>2</sup>/N<sup>2</sup> extinguishers and bursting-disc type safety device

Vanne avec levier basculant de commande manuelle à distance pour extincteurs CO<sup>2</sup>/N<sup>2</sup> et dispositif de sécurité. Levier lounge en acier inoxydable

Identification code	Standard	Inlet	Outlet	Dip Tube connection	Disc calibration
60.2.090.0229	NF	25E	W.21.7SI	G.1/4"	225 bar
60.2.010.0243	UNI	25E	W.21.7	M.10x1	250 bar
60.2.010.0255	UNI	25E	W.21.7	G.1/4"	285 bar (N <sup>2</sup> )



## Valvole a volantino per estintori carrellati CO<sup>2</sup>

Handweel valves for CO<sup>2</sup> wheeled fire extinguishers Robinet a volant pour extincteurs à chariot CO<sup>2</sup>

Identification code	Standard	Inlet	Outlet	Dip Tube connection	Disc calibration
61.2.190.0034	UNI	25E	W.21.7	G.3/8"	185 bar
61.2.190.0101	UNI	25P	W.21.8	M.14X1,5	185 bar
60.2.190.0091	UNI	1"	W.21.8	G.3/8"	250 bar



## Valvole a volantino per estintori carrellati N<sup>2</sup>

Handweel valves for N<sup>2</sup> wheeled fire extinguishers Robinet a volant pour extincteurs à chariot N<sup>2</sup>

Identification code	Standard	Inlet	Outlet	Dip Tube connection	Disc calibration
76.2.090.0035	UNI	25E	W.21.7	-	-
76.2.090.0084	DIN	25E	W.24.32	-	-







## Valvole a volantino per estintori carrellati CO2

Handwheel SMART valve for CO<sup>2</sup>/N<sup>2</sup> wheeled fire extinguishers

Robinet a volant pour extincteurs à chariot CO<sup>2</sup>/N<sup>2</sup>

Identification code	Standard	Inlet	Outlet	Dip Tube connection	Disc calibration
61.2.190.0097	UNI	25E	W.21.7	G.3/8"	185 bar
61.2.190.0098	UNI	25E	W.21.8	G.3/8"	250 bar
60.2.190.0096	UNI	25E	W.24.32	-	245 bar (N <sup>2</sup> )



## Valvola a pulsante per estintori 1-2 kg a pressione permanente

Squeeze-grip valve for stored pressure fire extinguishers 1-2 Kg Vanne à poussoir pour extincteurs

1-2 Kg à pression permanente

Identification code	Inlet	Outlet	Safety valve calibration	Pressure gauge connection	Dip tube connection
60.2.290.0068	M.30x1.5	1/8"NPT	20-24 bar	M.10x1	M.16x1.5



## Valvola a pulsante per estintori 1-2 kg a pressione permanente

Squeeze-grip valve for stored pressure fire extinguishers 2-4 Kg Vanne à poussoir pour extincteurs

2-4 Kg à pression permanente

Identification code	Inlet	Outlet	Safety valve calibration	Pressure gauge connection	Dip tube connection
60.2.290.0042	M.30x1.5	1/8"NPT	20-24 bar	M.10x1	M.16x1.5

# VALVOLE ESTINTORI

## Valvola a pulsante per estintori 2-4 kg a pressione permanente

Fly series squeeze-grip valve for stored pressure fire extinguishers 2-4 Kg

Vanne à poussoir pour extincteurs 2-4 Kg à pression permanente

Identification code	Inlet	Outlet	Safety valve calibration	Pressure gauge connection	Dip tube connection
60.2.290.0092	M.30x1.5	1/8"NPT	20-24 bar	0-10-18-27 BAR	M.16x1.5
60.2.290.0174	M.30x1.5	1/8"NPT	20-24 bar	0-1.1-1.7-2.5 MPA	M.16x1.5



## Valvola a pulsante per estintori 2-4 kg a pressione permanente

Squeeze-grip valve for stored pressure fire extinguishers 1-2 Kg

Vanne à poussoir pour extincteurs 1-2 Kg à pression permanente

Identification code	Inlet	Outlet	Safety valve calibration	Pressure gauge connection	Dip tube connection
60.2.290.0175	M.30x1.5	G.1/4"	20-24 bar	M.10x1	M.16x1.5



## Valvola a pulsante per estintori 2-4 kg a pressione permanente

Squeeze-grip valve for stored pressure fire extinguishers 2-4 Kg

Vanne à poussoir pour extincteurs 2-4 Kg à pression permanente

Identification code	Inlet	Outlet	Safety valve calibration	Pressure gauge connection	Dip tube connection
60.2.290.0050	M.30x1.5	G.1/4"	20-24 bar	M.10x1	M.16x1.5



## Valvola a pulsante per estintori 2-4 kg a pressione permanente



Squeeze-grip valve for stored pressure fire extinguishers 2-4 Kg

Vanne à poussoir pour extincteurs 2-4 Kg à pression permanente

Identification code	Inlet	Outlet	Safety valve calibration	Pressure gauge connection	Dip tube connection
60.2.290.0147	M.30x1.5	G.1/4"	20-24 bar	M.10x1	M.16x1.5

## Valvola a pulsante per estintori 6-12 kg a pressione permanente



Squeeze-grip valve for stored pressure fire extinguishers 6-12 Kg

Vanne à poussoir pour extincteurs 6-12 Kg à pression permanente

Identification code	Inlet	Outlet	Safety valve calibration	Pressure gauge connection	Dip tube connection
60.2.390.0097 Con foro pulsante rossi red lever with hole	M.30x1.5	G.1/4"	20-24 bar	M.10x1	M.16x1.5
60.2.390.0103 Senza foro pulsante rossi red lever without hole	M.30x1.5	G.1/4"	20-24 bar	M.10x1	M.16x1.5

## Valvola a pulsante wave per estintori 6-12 kg a pressione permanente



Wave squeeze-grip valve for stored pressure fire extinguishers 6-12 Kg

Vanne à poussoir wave pour extincteurs 6-12 Kg à pression permanente

Identification code	Inlet	Outlet	Safety valve calibration	Pressure gauge connection	Dip tube connection
60.2.390.0291 Con foro pulsante rossi red lever with hole	M.30x1.5	G.1/4"	20-24 bar	M.10x1	M.16x1.5
60.2.390.0270 Senza foro pulsante rossi red lever without hole	M.30x1.5	G.1/4"	20-24 bar	M.10x1	M.16x1.5

# VALVOLE ESTINTORI

## Valvola a pulsante wave per estintori 6-12 kg a pressione permanente 5 vie (vds-vdc-attacco manometro)

Wave squeeze-grip valve for store pressure fire extinguishers 6-12 kg 5 way

Vanne a poussoir wave pour extincteurs 6-12 kg à pression permanente à 5 voies

Identification code	Inlet	Outlet	Safety valve calibration	Pressure gauge connection	Dip tube connection
60.2.390.0393					
Con foro pulsante rossi red lever with hole	M.30x1.5	G.1/4"	20-24 bar	1/8 NPT	M.16x1.5
60.2.390.0270 Senza foro pulsante rossi red lever without hole	M.30x1.5	G.1/4"	20-24 bar	1/8 NPT	M.16x1.5



## Valvola a pulsante per estintori 6-12 kg realizzata in alluminio stampato

Squeeze-grip valve for store pressure fire extinguishers 6-12 kg aluminium forged

Vanne a poussoir pour extincteurs 6-12 kg à pression permanente en aluminium

Identification code	Inlet	Outlet	Safety valve calibration	Pressure gauge connection	Dip tube connection
60.2.390.0340	M.30x1.5	G.1/4"	20-24 bar	M.10x1	M.16x1.5



N. B. è possibile anodizzare in vari colori il corpo onde migliorare l'assistenza all'ossidazione

N.b. It's possible, to improve the oxidation strenght, anodising the body valve in differentes colours

N.b. Il est possible d' améliorer la résistance à l'oxydation par le traitement d'anodisation, disponible en différents couleurs

## Valvola con comando basculante manuale a distanza per estintori a pressione permanente

Valve with swinging manual remote control for stored pressure fire extinguishers

Vanne avec levier basculant de commande manuelle à distance pour extincteurs à pression permanente

Identification code	Inlet	Outlet	Safety valve calibration	Pressure gauge connection	Dip tube connection
60.2.390.0273	M30x1.5	G.1/4"	20-24 bar	M.10x1	M.16x1.5





## Valvola a pulsante per estintori 6-12 kg realizzata in alluminio profilato

Squeeze-grip valve for store pressure fire extinguishers 6-12 kg aluminium profile

Vanne a poussoir pour extincteurs 6-12 kg à pression permanente profilé en aluminium

Identification code	Inlet	Outlet	Safety valve calibration	Pressure gauge connection	Dip tube connection
60.2.390.0318	M30x2	G.1/4"	20-24 bar	M.10x1	M.16x1.5

N. B. è possibile anodizzare in vari colori il corpo onde migliorare l'assistenza all'ossidazione

N.b. It's possible, to improve the oxidation strenght, anodising the body valve in differentes colours

N.b. Il est possible d' améliorer la résistance à l'oxydation par le traitement d'anodisation, disponible en différents couleurs

## Valvola ad apertura rapida per estintori carrellati da 50-100-150 kg

L'apertura rapida e il passaggio libero totale di 270 mm<sup>2</sup> di sezione permettono di scaricare 2 kg di polvere in un secondo, con gittata utile di 10 mt.

Quick-opening valve for wheeled fire extinguishers with 50-100-150 Kg contents  
The quick-action opening and the total free passageway of 270 mm<sup>2</sup> cross-section permit to discharge 2 Kg powder in 1 second, with a useful range of 10 meters.



Vanne pour déclenchement rapide pour extincteurs à chariot contenant 50-100-150 Kg

Le déclenchement rapide et le passage libre total de 270 mm<sup>2</sup> de section permettent de décharger 2 Kg de poudre en 1 second, avec portée utile de 10 mètres.

Identification code	Inlet	Outlet	Safety valve calibration	Pressure gauge connection	Dip tube connection
61.2.690.0035	G 2"	G.3/4"	20-24 bar	M.10x1	G.3/4"

## Valvola per sistema di estinzione ad azionamento meccanico

Mechanically operated valve for extinguishing systems

Vanne pour système d' extinction à actionnement mécanique



Identification code	Standard	Inlet	Outlet	Safety valve calibration	Pressure gauge connection	Dip tube connection
61.2.390.0364	-	M30x1.5	G.1/4"	20-24 bar	M.10x1	M.16x1.5

# VALVOLE ESTINTORI

## Valvola per sistema di estinzione ad azionamento elettrico

Electric operated valve for extinguishing systems

Vanne pour système d'extinction à actionnement électrique

Identification code	Standard	Inlet	Outlet	Attacco Attuatore	Pressure gauge connection	Dip tube connection
61.2.390.0408	-	M30x1.5	G.1/4"	M.10x1	M.10x1	M.16x1.5



## Valvola per estintori idrici - schiuma (marcata FOAM)

Valve for water-foam fire extinguishers

Vannes pour extincteurs à mousse

Identification code	Inlet	Outlet	Safety valve calibration	Pressure gauge connection	Dip tube connection
60.2.390.0400	M.30x1.5	G.1/4"	20-24 bar	M.10x1	M.16x1.5



Grazie al trattamento NCHpltLm40e la valvola resiste agli agenti aggressivi contenuti nella schiuma estinguente

By a special treatment NCHpltLm40e which allows to resist the aggressive agents, the valve is suitable for using with foam extinguishing

Le traitement NCHpltLm40e permet d'améliorer la résistance de la vanne et il rend approprié aux agents contenus dans la mousse

## Valvola per estintori idrici a schiuma

Valve for water-foam fire extinguishers

Vannes pour extincteurs à mousse

Identification code	Inlet	Outlet	Safety valve calibration	Pressure gauge connection	Dip tube connection
60.2.390.0399	M.45x1.5	G.1/4"	20-24 bar	M.10x1	M.16x1.5





## Valvola per estintori idrici - schiuma a girello integrato (marcata FOAM)

Bell valve for water-foam fire extinguishers

Vanne à cloche pour extincteurs à mousse

Identification code	Inlet	Outlet	Safety valve calibration	Pressure gauge connection	Dip tube connection
60.2.390.0431	M.45x1.5	G.1/4"	20-24 bar	M.10x1	M.16x1.5

## Tappo a sfondamento per estintori con bombolina interna di CO<sup>2</sup> (Sparklett)

Saggedweld cap for fire extinguishers with inside CO<sub>2</sub> cylinder (Sparklett)

Tête à sparklette pour extincteurs avec bouteille CO<sub>2</sub> interieure (Sparklett)

Corpo valvola impregnato con loctite resinol e anodizzato nero per utilizzo con schiuma

Body valve impregnated with loctite resinol and black anodised suitable for waterfoam.

Le corps de la vanne est imprégné de loctite resinol et anodise noir pour l'utilisation avec mousse



Identification code	Inlet	Outlet	Safety valve calibration	Cylinder CO <sub>2</sub> connection	Dip tube connection	Pressurization tube connection
62.2.590.0051	M.74x2	M 14x1,5	22-29 bar	M.10x1	Diam. 18 mm	Diam. 8 mm

## Tappo a sfondamento per estintori con bombolina interna di CO<sup>2</sup> (Sparklett)

Saggedweld cap for fire extinguishers with inside CO<sub>2</sub> cylinder (Sparklett)

Tête à sparklette pour extincteurs avec bouteille CO<sub>2</sub> interieure (Sparklett)



Identification code	Inlet	Outlet	Safety valve calibration	Cylinder CO <sub>2</sub> connection	Dip tube connection	Pressurization tube connection
62.2.590.0054	M.74x2	M 14x1,5	22-29 bar	M.10x1	Diam. 18 mm	M.15x1.25

# VALVOLE ESTINTORI

## Tappo a sfondamento per estintori con bombolina interna di CO<sup>2</sup> (Sparklet)

Saggedweld cap for fire extinguishers with inside CO<sub>2</sub> cylinder (Sparklett) Tête à sparklette pour extincteurs avec bouteille CO<sub>2</sub> interieure (Sparklett)

Identification code	Inlet	Outlet	Safety valve calibration	Pressure gauge connection	Dip tube connection
62.2.590.0018	M.74x2	M 14x1,5	20-24 bar	M.10x1	M.16x1.5
62.2.590.0033	M.74x2	M 14x1,5	20-24 bar	M.10x1	M.16x1.5
62.2.590.0035	M.74x2	M 14x1,5	20-24 bar	M.10x1	M.16x1.5



## Tappo a sfondamento per estintori a schiuma

Saggedweld cap for foam fire extinguishers Tête à sparklette pour extincteurs à mousse

Identification code	Inlet
62.2.590.0025	G 1 1/2"



## Valvola a pomello per estintori 6-12 kg a pressione permanente atta ad essere carenata

Button valve for store pressure fire extinguisher 6-12 kg for special plastic personalizations Vanne a bouchon pour extincteurs 6-12 kg à pression permanente pour personilizzazioni speciale en plastique

Identification code	Inlet	Outlet	Safety valve calibration	Pressure gauge connection	Dip tube connection
62.2.390.0326	M.30x1.5	G.1/4"	20-24 bar	M.10x1	M.16x1.5

Identification code	Inlet	Outlet	Safety valve calibration	Pressure gauge connection	Dip tube connection
62.2.390.0384	M.30x1.5	G.1/4"	20-24 bar	M.10x1	M.16x1.5



Grazie al trattamento NCHpltLm40e la valvola resiste agli agenti aggressivi contenuti nella schiuma estinguente

By a special treatment NCHpltLm40e which allows to resist the aggressive agents, the valve is suitable for using with foam extinguishing

Le traitement NCHpltLm40e permet d'améliorer la résistance de la vanne et il rend approprié aux agents contenus dans la mousse





## Valvola per sistemi di estinzione ad azionamento meccanico

Bell valve for water-foam fire extinguishers

Vanne à cloche pour extincteurs à mousse

Identification code	Standard	Intet	Outlet	Safety valve calibration	Pressure gauge connection	Dip tube connection
60.2.390.0364	-	M.20x1.5	G.1/4"	20-24 bar	M.10x1	M.16x1.5



## Valvola per sistemi di estinzione ad azionamento elettrico

Bell valve for water-foam fire extinguishers

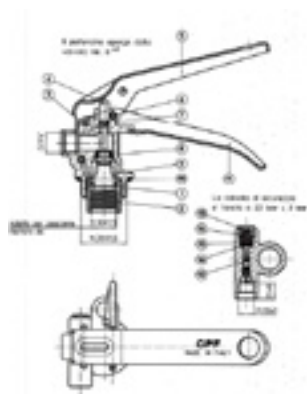
Vanne à cloche pour extincteurs à mousse

Identification code	Standard	Intet	Outlet	Attacco Attuatore	Pressure gauge connection	Dip tube connection
60.2.390.0408	-	M.30x1.5	G.1/4"	M.10x1	M.10x1	M.16x1.5

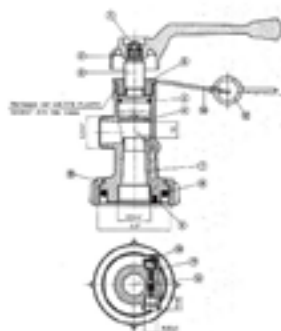
## Valvola esploso

Valve components

Composant de vanne à cloche



1	CORPO NICHELATO	9	MOLLA
2	PORTAPESCANTE	10	ANELLO TOROIDALE - SR B 16
3	PERNO	11	MANIGLIA
4	PISTONCINO	12	PISTONCINO COMPLETO
5	PULSANTE - VERNICIATO ROSSO	13	PREMIMOLLA - NICHELATO
6	SPINA DI SICUREZZA - NICHELATA	14	MOLLA
7	ANELLO TOROIDALE - OR 101 -	15	PISTONCINO
8	ANELLO TOROIDALE	16	PASTICCA



1	CORPO NICHELATO	9	FILTRO
2	MANIGLIA DI COMANDO	10	TAPPO DI SICUREZZA NICHELATO
3	PISTONCINO	11	DISCO DI SICUREZZA
4	ANELLO TOROIDALE MS 118	12	SPINA DI SICUREZZA
5	GHIERA DI FERMO	13	SAGOLA ROSSA
6	PASTICCA	14	PISTONCINO COMPLETO
7	VITE M.5X10 ZINCATA	15	GIRELLO NICHELATO
8	ANELLO TOROIDALE 43.82X5.33		



## Valvola a pulsante serie EASY con uscita frontale e dispositivo di sicurezza

Squeeze-grip series EASY valve in front-outlet version, with bursting-disc safety device

Vanne à poussoir type EASY à sortie frontale, avec dispositif de sécurité

Identification code	Standard	Inlet	Outlet	Dip Tube connection	Disc calibration
60.2.090.0032	UNI	25E	W.21.7	M.14x1.5	185 bar
60.2.090.0172 nichelata	UNI	25E	W.21.7	M.14x1.5	185 bar
60.2.090.0211	UNI	25E	W.21.7	M.14x1.5	215 bar

## Valvola a pulsante serie EASY con uscita frontale e dispositivo di sicurezza attacco cilindrico

Squeeze-grip series EASY valve in front-outlet version, with bursting-disc safety device, cylindrical connection

Vanne à poussoir type EASY à sortie frontale, avec dispositif de sécurité, à connection cylindrique



Identification code	Standard	Inlet	Outlet	Dip Tube connection	Disc calibration
60.2.090.0020	UNI	25P	W.21.7	M.14x1.5	185 bar
60.2.090.0127 nichelata	UNI	25P	W.21.7	M.14x1.5	185 bar
60.2.090.0152	UNI	25P	W.21.7	M.14x1.5	215 bar
60.2.090.0250	DIN	25P	W.21.7	M.14x1.5	190 bar
60.2.090.0210	UNI	25P	W.21.7	M.14x1.5	195 bar

## Valvola a pulsante serie EASY con uscita frontale e dispositivo di sicurezza laterale

Squeeze-grip valve in front-outlet version, with bursting-disc type side safety device

Vanne à poussoir type à sortie frontale, avec dispositif laterale de sécurité



Identification code	Standard	Inlet	Outlet	Dip Tube connection	Disc calibration
60.2.090.0045	UNI	25E	W.21.7	M.14x1.5	185 bar
60.2.290.0125	UNI	25E	W.21.8	M.10x0.75	250 bar
60.2.090.0022	UNI	25E	W.21.7	M.10x1	200 bar
60.2.010.0211	DIN	25E	W.21.7	M.14x1.5	195 bar

## Valvola di sicurezza per estintori a polvere e idrici

Safety device for powder/water fire extinguisher



Articolo	Codice
Item	Code
2025	VSVCD

## Valvola di sicurezza per estintore CO2

Safety device for carbon dioxide fire extinguisher



Articolo	Codice
Item	Code
2026	VSVK

## Valvola di sicurezza per estintore carrellato

Safety device for wheeled fire extinguisher



Articolo	Codice
Item	Code
2027	VSVCR

## Ugello erogatore

Nozzle dispenser



Articolo	Codice
Item	Code
2028	AVCP

## Pistoncino completo per valvola estintore a polvere 1-2Kg

Complete stem valve for 1-2kg powder fire extinguisher



Articolo	Codice
Item	Code
2029	PIVP2

## Pistoncino completo per valvola estintore a polvere 6-12Kg

Complete stem valve for 6-12kg powder fire extinguisher



Valvola CSQ

Valvola CPF

Articolo Codice

Item Code

2030 PIVP12 CPF

2030/A PIVP13 CSQ

## Pistoncino valvola di controllo

Stem control valve



Articolo	Codice	Descrizione
Item	Code	Description
2031	PVC	Pistoncino - Stem
2031/a	CHP	Chiave per pistoncino - Key to stem

## Pistoncino completo per valvola CO2

Complete stem valve for carbon dioxide fire extinguisher



Articolo	Codice
Item	Code
2032	PIVK5

# RICAMBI ESTINTORI

## Manometro per estintore a polvere Ø23

Pressure gauge for powder fire extinguisher Ø23



*Ebur*

Articolo	Codice	Diametro	Filetto
Item	Code	Diameter	Thread
2020	MAN23	23mm	M10x1x12,5

## Manometro per estintore a polvere Ø35

Pressure gauge for powder fire extinguisher Ø35



Articolo	Codice	Diametro	Filetto
Item	Code	Diameter	Thread
2021	MAN35	35mm	M10x1x12,5

## Manometro per estintore a polvere Ø40

Pressure gauge for powder fire extinguisher Ø40



Articolo	Codice	Diametro	Filetto
Item	Code	Diameter	Thread
2022	MAN40	40mm	M10x1x12,5

## Manometro per estintore idrico Ø23

Pressure gauge for water fire extinguisher Ø23



Articolo	Codice	Diametro	Filetto
Item	Code	Diameter	Thread
2023	MAN23A	23mm	M10x1x12,5

## O-Ring

O-Ring



Articolo	Codice	Descrizione
Item	Code	Description
2024	GUVA	Per estintore a polvere - For powder fire extinguisher
2024/a	GUCO	Per estintore a CO2 - For CO2 fire extinguisher
2024/b	GUCA	Per estintore carrellato - For wheeled fire extinguisher
2024/c	GUMA	Per manometro - For pressure gauge



## Tubi pescanti per estintori

Dip tubes for fire extinguishers

Articolo Item	Codice Code	Descrizione Description	Dimensioni Size
2033	TPP1	Tubo pescante per estintore a polvere 1Kg - Deep tube for 1Kg powder fire extinguisher	235x16mm
2034	TPP2	Tubo pescante per estintore a polvere 2Kg - Deep tube for 2Kg powder fire extinguisher	298x16mm
2035	TPP4	Tubo pescante per estintore a polvere 4Kg - Deep tube for 4Kg powder fire extinguisher	315x16mm
2036	TPP6	Tubo pescante per estintore a polvere 6Kg - Deep tube for 6Kg powder fire extinguisher	385x16mm
2036/a	TPPS6	Tubo pescante per estintore a polvere prof. stamp. 6Kg - Deep tube for 6Kg powder fire extinguisher	405x16mm
2037	TPPI6	Tubo pescante per estintore idrico 6lt - Deep tube for 6lt water fire extinguisher	385x16mm
2038	TPP9	Tubo pescante per estintore a polvere 9Kg - Deep tube for 9Kg powder fire extinguisher	510x16mm
2039	TPP12	Tubo pescante per estintore a polvere 12Kg - Deep tube for 12Kg powder fire extinguisher	570x16mm
2040	TPPC2	Tubo pescante per estintore a CO2 2Kg - Deep tube for 2Kg CO2 fire extinguisher	400x13mm
2041	TPPC5	Tubo pescante per estintore a CO2 5Kg - Deep tube for 5Kg CO2 fire extinguisher	590x13mm
2042	TPPC30	Tubo pescante per est. carr. a polvere 30Kg - Deep tube for 30Kg wheeled powder fire extinguisher	750x27mm
2043	TPPC50	Tubo pescante per est. carr. a polvere 50Kg - Deep tube for 50Kg wheeled powder fire extinguisher	870x27mm
2044	TPPC100	Tubo pescante per est. carr. a polvere 100Kg - Deep tube for 100Kg wheeled powder fire extinguisher	1000x27mm
2045	TPPK18	Tubo pescante per estintore carrellato a CO2 18Kg - Deep tube for 18Kg wheeled CO2 fire extinguisher	660x13mm
2046	TPPK27	Tubo pescante per estintore carrellato a CO2 27Kg - Deep tube for 27Kg wheeled CO2 fire extinguisher	835x13mm

# RICAMBI ESTINTORI

## Manichette per estintori

Hose for fire extinguishers



Per amagnetico  
raccordo in ottone



Articolo Code	Codice Code	Descrizione Description	Dimensioni Size
2047	MPS6	Manichetta per estintore a polvere 6Kg - Hose for 6Kg powder fire extinguisher	500mm
2048	MPI6	Manichetta per estintore idrico 6lt - Hose for 6lt water fire extinguisher	500mm
2047	MPS6	Manichetta per estintore a polvere 6Kg - Hose for 6Kg powder fire extinguisher	500mm
2048	MPI6	Manichetta per estintore idrico 6lt - Hose for 6lt water fire extinguisher	500mm
2049	MPP9	Manichetta per estintore a polvere 9Kg - Hose for 9Kg powder fire extinguisher	650mm
2050	MPI9	Manichetta per estintore idrico 9lt - Hose for 9lt water fire extinguisher	650mm
2051	MPP12	Manichetta per estintore a polvere 12Kg - Hose for 12Kg powder fire extinguisher	750mm
2052	MPCO25	Manichetta per estintore a CO2 5Kg - Hose for 5Kg CO2 fire extinguisher	800mm
2053	MPCO25A	Manichetta per estintore a CO2 5Kg amagnetico - Hose for 5Kg CO2 nonmagnetic fire extinguisher	800mm
2053/a	MCCO2	Manichetta per estintore a CO2 - Hose for CO2 fire extinguisher	4000mm
2054	MCP30	Manichetta per estintore carrellato a polvere 30Kg - Hose for 30Kg wheeled powder fire extinguisher	4000mm
2054/a	MCP50	Manichetta per estintore carrellato a polvere 50Kg - Hose for 50Kg wheeled powder fire extinguisher	5000mm
2054/b	MCP100	Manichetta per estintore carrellato a polvere 100Kg - Hose for 100Kg wheeled powder fire extinguisher	5000mm

## Ruota per estintore carrellato Kg30-50 + coprimozzo

Wheel for wheeled fire extinguisher Kg 30-50 more hubcap



## Ruota per estintore carrellato Kg100

Wheel for wheeled fire extinguisher Kg100



Articolo Item	Codice Code	Diametro Diameter	Larghezza Width	Materiale Material	Articolo Item	Codice Code	Diametro Diameter	Larghezza Width	Materiale Material
2056	RT30	300mm	40mm	PVC	2057	RT40	400mm	60mm	PVC
2056/a	CM	-	-	-					

## Sistema di bloccaggio ruota

Block system for wheel



Articolo	Codice	Diametro
Item	Code	Diameter
2058	BLK20	20mm
2059	BLK25	25mm

## Spina di sicurezza per valvole estintori a polvere e CO<sub>2</sub>

Safety pin valve for powder/carbon dioxide fire extinguisher



Articolo	Codice	Diametro	Utilizzo
Item	Code	Diameter	Utility
2060	SPI3	3mm	Polvere 1-2Kg
2061	SPI4	4mm	Polvere 6-12Kg
2062	SPCO2	4mm	CO <sub>2</sub>
2062/a	SPCAR	3mm	Carrellato a polvere

## Cordella per spina di sicurezza

Safety pin chain



Articolo	Codice
Item	Code
2063	SPV

## Filoreg

Filoreg



Articolo	Codice
Item	Code
2063/a	FIL

## Sigillo a chiodo

Seal



Articolo	Codice
Item	Code
2064	CHI

## Block pistoncino

Stem block



Articolo	Codice
Item	Code
2065	BLKS

## Pistola mitra per estintore carrellato a polvere in PVC

Gun for wheeled powder fire extinguisher



Articolo	Codice	Tipo
Item	Code	Type
2066	PIMI	30-50-100Kg

## Lancia per carrellato a CO<sub>2</sub> con valvola

Brachpipe for foam fire extinguisher with valve



Articolo	Codice
Item	Code
2067	PICO

## Lancia per carrellato schiuma in alluminio

Brachpipe for foam fire extinguisher



Articolo	Codice
Item	Code
2068	PIDI50

# RICAMBI ESTINTORI

## Diffusore per estintore idrico da 6Kg

Nozzle for water fire extinguisher



Articolo	Codice
Item	Code
2069	IMD6

## Cono diffusore per estintore CO2

Nozzle for carbon dioxide fire extinguisher 2Kg



Articolo	Codice	Tipo
Item	Code	Type
2071	CDC2	2Kg
2072	CDC5	5Kg
2073	CDC5AM	amagn.

## Cono diffusore per estintore CO2 da 5Kg

Nozzle for carbon dioxide fire extinguisher 5Kg



Articolo	Codice
Item	Code
2074	CDC5L

## Supporto a muro in acciaio



Articolo	Codice
Item	Code
2075	SUPA
2075/2	SUPA-AM

## Elastico per supporto autocarro

Elastic hook for truck



Articolo	Codice
Item	Code
2076	ESA

## Supporto in PVC per estintori 1-2Kg

Plastic bracket for 1-2 Kg powder fire extinguisher



Articolo	Codice	Tipo
Item	Code	Type
2077	SUA08	1Kg
2078	SUA07	2Kg



## Supporto autocarro in acciaio verniciato

Steel bracket for truck



Articolo Item	Codice Code	Tipo Type	Diametro Diameter
2079	SUA01	Polvere 4Kg	130mm
2080	SUA02	Polvere 6Kg	160mm
2081	SUA03	Polvere 9Kg	170mm
2082	SUA04	CO2 2Kg	110mm
2083	SUA05	CO2 5Kg	140mm
2084	SUA06	CO2 5Kg	152mm

## Supporto autocarro in acciaio verniciato special

Steel bracket for truck special

Articolo Item	Codice Code	Tipo Type	Diametro Diameter
2085	SUA01S	Polvere 4Kg	130mm
2086	SUA02S	Polvere 6Kg	160mm
2087	SUA03S	Polvere 9Kg	170mm
2088	SUA04S	CO2 2Kg	110mm
2089	SUA05S	CO2 5Kg	140mm
2090	SUA06S	CO2 5Kg	152mm

## Supporto per autocarro in acciaio verniciato new

Steel bracket for truck new



Articolo Item	Codice Code	Diametro Diameter	Tipo Type
2091	SUA02N	160mm	Polvere 6Kg



Articolo Item	Codice Code	Diametro Diameter	Tipo Type
2092	SUA09	80mm	1Kg
2093	SUA10	100mm	2Kg

# RICAMBI ESTINTORI

## Supporto per estintore automatico

Wall hook for automatic fire extinguisher



Articolo	Codice
Item	Code

2094	SUA11
------	-------

## Pinza per la pressurizzazione

Clamp pressure



Articolo	Codice
Item	Code

2103	PINZ
------	------

## Manometro controlla pressione

Pressure gauge monitors



Articolo	Codice	Tipo
Item	Code	Type

2104	MANCP	Standard
2104/a	MANCPT	Tarato

## Riduttore di pressione per bombole di azoto

Pressure reducer for nitrogen cylinders



Articolo	Codice
Item	Code

2105	RID
------	-----

## Dinamometro

Dynamometer



Articolo	Codice	Tipo
Item	Code	Type

2106	DIN	Standard
2106/a	DINC	Certificato

## Pinza foratrice per cartellini

Clamp drilling



Articolo	Codice
Item	Code

2107	PFR
------	-----

## Polveri estinguenti

### Extinguishing powders

Articolo Item	Codice Code	Polvere Powder	Peso Weight
2095	PABC25	ABC 40	25Kg
2096	PABC1000	ABC 40	1000Kg
2097	PABCS25	ABC 50 Super	25Kg
2098	PABCF	ABC 40	50/100Kg
2099	PABCSF	ABC 50 Super	50/100Kg
2100	PBC25	BCK	25Kg
2101	PD	D	25Kg
2102	PABCP25	ABC 87	25Kg



Classe di fuoco Fire class	Tipo Type	Acqua Water	Schiuma Foam	CO2 CO2	Polvere ABC ABC Powder	Wet chemicals
A	legno, carta, plastica	■	■	-	■	-
B	Liquidi infiammabili	-	-	-	-	-
C	Gas infiammabili	-	■	-	■	-
D	Metalli	-	-	-	■ special	-
F	Oli da cucina e grassi	-	-	■	■	-

Articolo Item	Compatibilità Compatibility	Descrizione Description
ABC Super		85% Fosfato monoammonico 85% monoammonium phosphate
ABC 40		40% Fosfato monoammonico + solfato d'ammonio 40% monoammonium phosphate + ammonium sulphate
BCK		Bicarbonato di potassio Potassium bicarbonate
D		Cloruri alcalini Alkali chloride